

Welcome, **Guest**. Please login or register.  
Did you miss your activation email?

Login with username, password and session length

**News:**  
Have you visited the Allwinner Chipset wiki? - <http://linux-sunxi.org/>

[Home](#) [Help](#) [Search](#) [Login](#) [Register](#)

CubieBoard Forum » Cubieboard itself » Hardware » Cubieboard v1 Hardware (A10 Based) » VGA from Cubieboard

« previous next »

Pages: [1] 2 3 [Go Down](#)

[PRINT](#)

**Author** **Topic: VGA from Cubieboard (Read 19824 times)**

**lawrence**

Administrator  
Sr. Member



Posts: 250  
Karma: +14/-0



**VGA from Cubieboard**

« on: February 13, 2013, 04:04:09 AM »

Wiki is incorrect - <http://linux-sunxi.org/Cubieboard>  
(Pin 33,35 are labelled wrong). Wiki fixed now.

Board pin out provides LCD-HSYNC / V-SYNC - not VGA-HSYNC / V-SYNC.  
We do have RGB VGA out though.

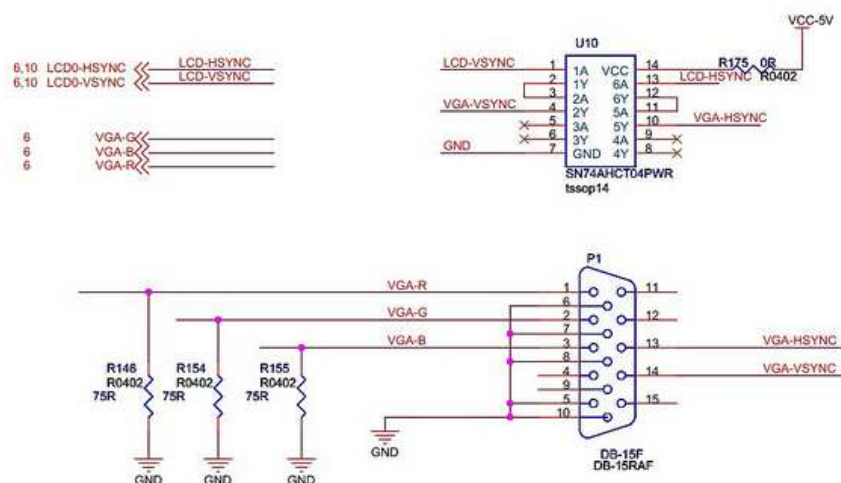
So you'll need to use a chip to convert the levels to VGA-HSYNC / V-SYNC  
Pins are as follows:

(From cubieboard)

- pin 25 ground - VGA 5,6,7,8,10
- pin33 (LCD-VSYNC) -> 74AHCT04 -> VGA PIN 14
- pin35 (LCD-HSYNC) -> 74AHCT04 -> VGA PIN 13
- pin 27 red -> 75ohm -> VGA PIN 1
- pin 29 green -> 75ohm -> VGA PIN 2
- pin 31 blue -> 75ohm -> VGA PIN 3

Circuit diagram (see attached), or look at the pretty picture served via flickr:

### VGA OUT



[vga\\_cubie](#) by [sheedl](#), on Flickr

« Last Edit: February 22, 2013, 09:47:04 PM by lawrence »

Logged

**naatamam**

Newbie



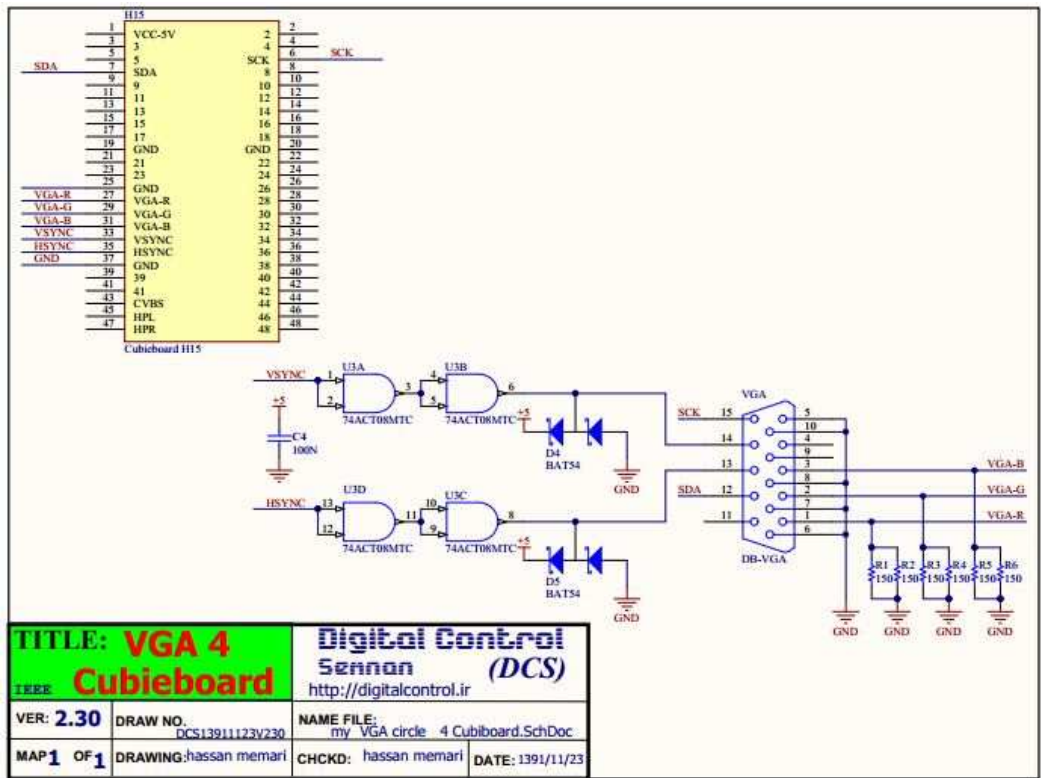
Posts: 7  
Karma: +0/-0



**Re: VGA from Cubieboard**

« Reply #1 on: February 14, 2013, 11:59:15 AM »

hi  
my VGA Circle for Cubieboard



<http://www.iranmicro.ir/forum/showpost.php?p=62410&postcount=402>

Logged

iranmicro

Newbie



Posts: 10

Karma: +1/-0



Re: VGA from Cubieboard

« Reply #2 on: February 22, 2013, 01:48:13 AM »

VGA and Good woking for me.  
 wiki is incorrect tnx alot lawrence  
 and config for vga (edit script.bin)

Code: [Select]

```
[disp_init]
disp_init_enable = 1
disp_mode = 0
screen0_output_type = 4
screen0_output_mode = 4
screen1_output_type = 2
screen1_output_mode = 14
fb0_framebuffer_num = 2
fb0_format = 10
fb0_pixel_sequence = 0
fb0_scaler_mode_enable = 1
fb1_framebuffer_num = 2
fb1_format = 10
fb1_pixel_sequence = 0
fb1_scaler_mode_enable = 1
```

<http://www.iranmicro.ir/forum/showpost.php?p=62982&postcount=519>

Logged

lawrence

Administrator  
 Sr. Member



Posts: 250

Karma: +14/-0



Re: VGA from Cubieboard

« Reply #3 on: February 22, 2013, 04:38:09 AM »

Well done!

Logged

naatamam

Newbie



Posts: 7

Karma: +0/-0



Re: VGA from Cubieboard

« Reply #4 on: February 22, 2013, 01:09:42 PM »

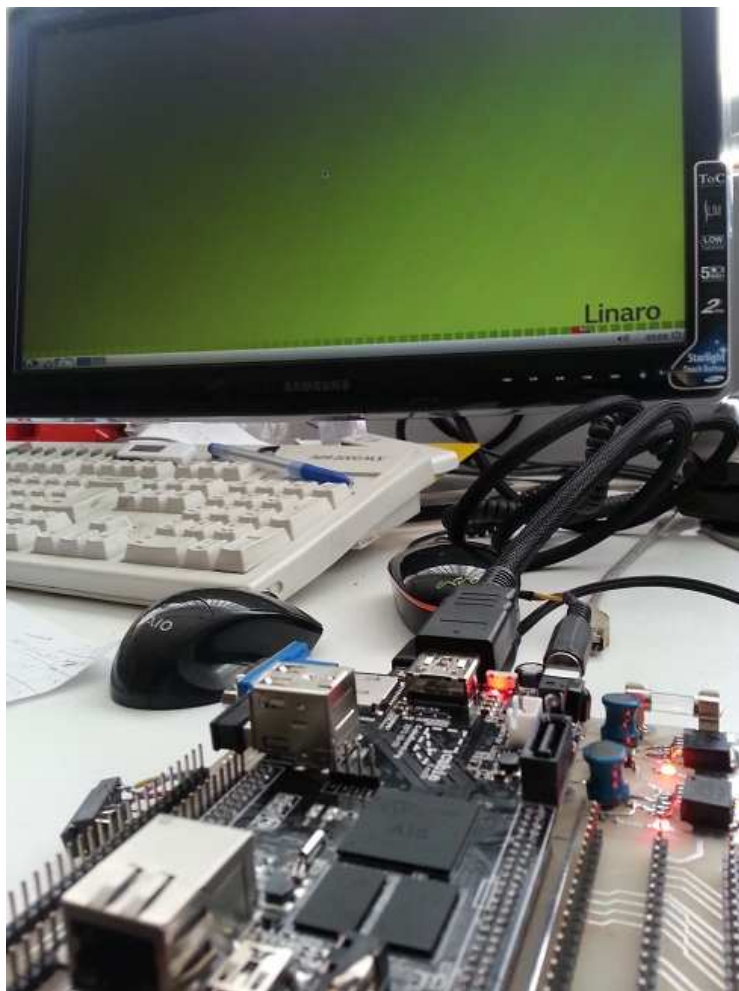
HI  
 my good test VGA & CVBS (Androide And Linaro)







HDMI PIC (LINARO)



Logged

**GeorgeIoak**

Newbie



Posts: 49  
Karma: +1/-0



**Re: VGA from Cubieboard**  
« Reply #5 on: February 22, 2013, 03:33:45 PM »

Looks like some good work. What Linaro image are you using? Does your kernel have the Mali drivers loaded? I'm using the same VGA circuit and have not been able to get an image

Logged

**GeorgeIoak**

Newbie



Posts: 49  
Karma: +1/-0



**Re: VGA from Cubieboard**  
« Reply #6 on: February 22, 2013, 05:22:57 PM »

Sorry, I mis-read Lawrence's post about the pin change. i should be good now that i know to use the other set of sync signals

Logged

**naatamam**

Newbie



Posts: 7  
Karma: +0/-0



**Re: VGA from Cubieboard**  
« Reply #7 on: February 22, 2013, 05:47:22 PM »

see help for vga Error AND script for VGA Display linaro  
<http://www.iranmicro.ir/forum/showpost.php?p=62982&postcount=519>

Download imag Linaro ubuntu 12.04 (Made by Iranians)  
<http://www.iranmicro.ir/forum/showpost.php?p=62912&postcount=504>

Test Vga & Cvbs Deployment Cubieboard Ver 2,30  
[http://digitalcontrol.persianguig.com/weblog/neviseh\\_1361551106.html](http://digitalcontrol.persianguig.com/weblog/neviseh_1361551106.html)  
or  
<http://naatamam.blogfa.com/post-1924.aspx>

« Last Edit: February 23, 2013, 01:11:24 AM by naatamam »

Logged

**OmahaVike**

Newbie



Posts: 13  
Karma: +0/-0

**Re: VGA from Cubieboard**  
« Reply #8 on: February 27, 2013, 09:43:51 PM »

Personally, I'd rather take a flogging than to manually wire this stuff up. But I sincerely admire you all for taking the initiative.



I took a different route and bought this:

[http://www.amazon.com/gp/product/B007SM7O2U/ref=oh\\_details\\_o00\\_s00\\_i00?ie=UTF8&psc=1](http://www.amazon.com/gp/product/B007SM7O2U/ref=oh_details_o00_s00_i00?ie=UTF8&psc=1)

It works \*perfectly\* for the stock Android distro. Picked up my monitor settings and came in full screen. I tried it also on the Linaro Desktop and it appears as if there will need to be some Xorg (or whatever they use) configuration adjustments. Same for Linaro's Ubuntu Server terminal -- although, that really wasn't a surprise.

If you want my monitor's specs, just let me know. I'm currently typing this away on my kids computer for which my key clicks are my childrens' lullaby.

Logged

**vasek\_blr**

Newbie

Posts: 4  
Karma: +0/-0

**Re: VGA from Cubieboard**  
« Reply #9 on: March 03, 2013, 03:15:50 PM »

naatamam, can you show your's PCB? it was great if you told more and show your configs for different connections.

Logged

**vasek\_blr**

Newbie

Posts: 4  
Karma: +0/-0

**Re: VGA from Cubieboard**  
« Reply #10 on: March 03, 2013, 03:29:02 PM »

Iranmicro, can you show your schematic? You use 27 and 30 pin's from another connector?

Logged

**iranmicro**

Newbie

Posts: 10  
Karma: +1/-0

**Re: VGA from Cubieboard**  
« Reply #11 on: March 06, 2013, 06:24:45 AM »

yes,

Logged

**ircan**

Newbie

Posts: 3  
Karma: +0/-0

**Re: VGA from Cubieboard**  
« Reply #12 on: March 10, 2013, 06:16:51 AM »

Hi, on revision 09-09 working vga without this chip from pins 27,30 from other connector with default android distro...  
But I dont have other Linux mashine, pls can somebody upload upgrated script.bin for linaro or berryboot for boot on VGA?

Logged

**vasek\_blr**

Newbie

Posts: 4  
Karma: +0/-0

**Re: VGA from Cubieboard**  
« Reply #13 on: March 11, 2013, 01:55:13 PM »

Get this =)

Logged

**vasek\_blr**

Newbie

Posts: 4  
Karma: +0/-0

**Re: VGA from Cubieboard**  
« Reply #14 on: March 11, 2013, 01:57:20 PM »

VGA work after switch in android? I don't have hdmi and cant switch, where is setting's file in android?

Logged

Bad Behavior has blocked **9158** access attempts in the last 7 days.